



LS-2 Series

Simple & Safe

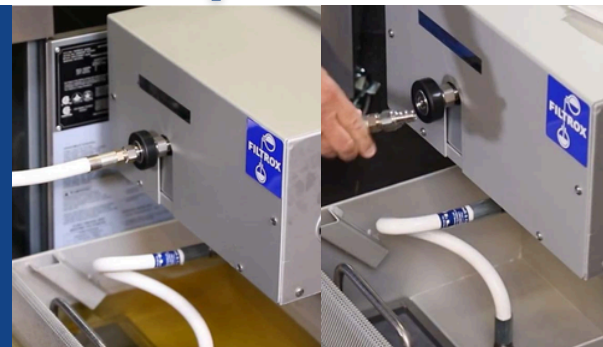
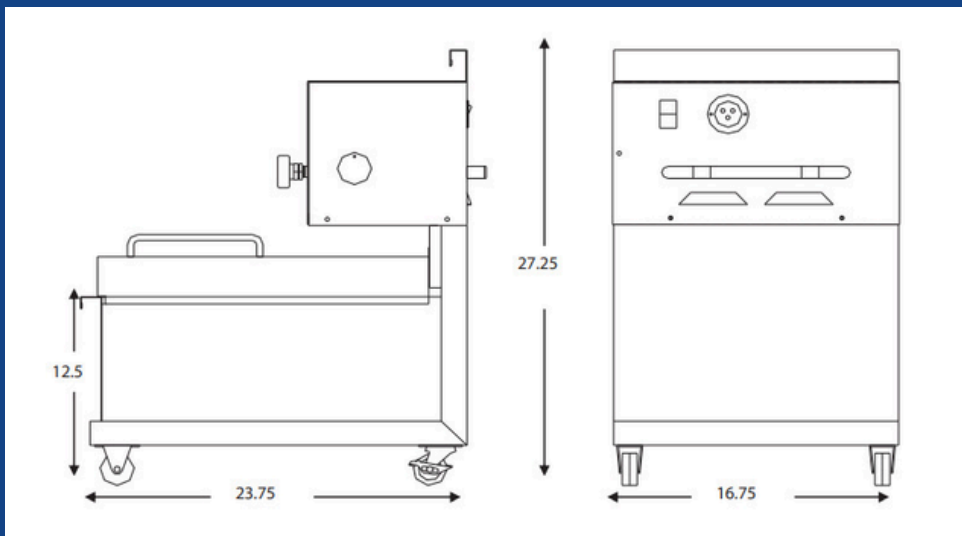
Simple. Safe. Oil Filtration.

No more buckets! No more wasting time and oil!

-  Easy to change filter
-  Easy to take apart
-  Easy to clean
-  Small-Scale Unit



The LS-2 Unit simplifies filter changes with the use of SuperSorb Pads, making powder unnecessary. While having a smaller footprint, the LS-2 Unit offers a larger volume, providing 20% more capacity than competitive units.



Quick Disconnect



Removeable Sump



Ergonomically Friendly



Dump & Pump